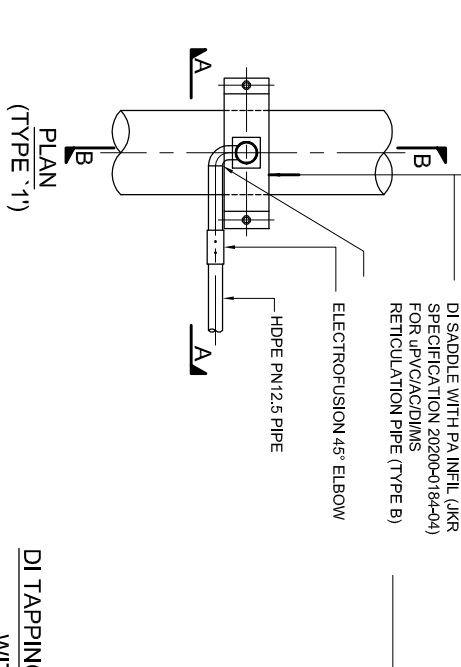
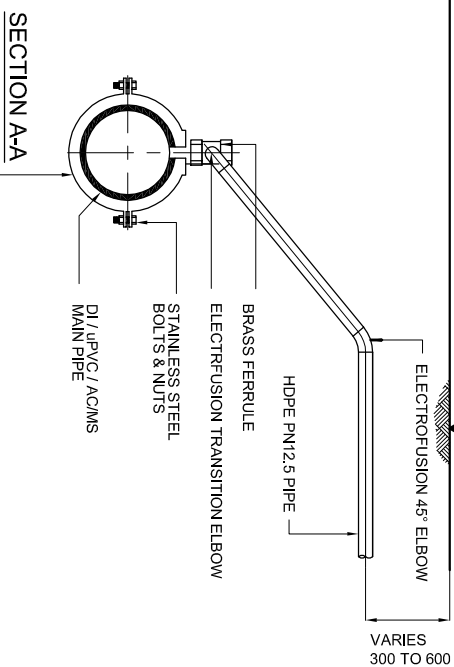
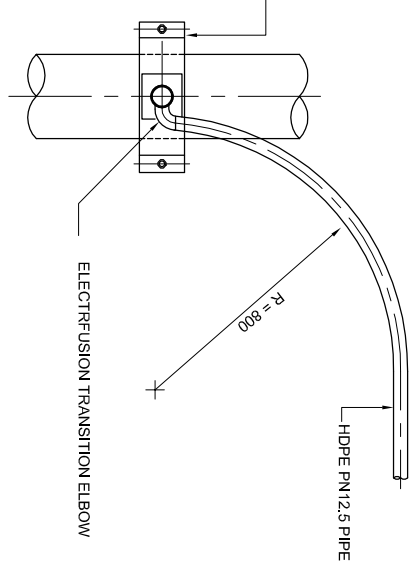


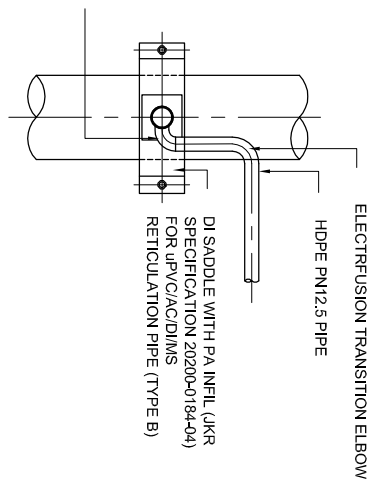
SECTION TYPE 4



DI TAPPING SADDLE FOR DI/UPVC/AC/MS MAIN PIPE WITH HDPE COMMUNICATION PIPE



PLAN (TYPE 2)



PLAN (TYPE 3)

- NOTES:-
1. ALL DIMENSIONS ARE IN MILLIMETRE UNLESS OTHERWISE STATED.
 2. ACTUAL LENGTH OF COMMUNICATION PIPE SHALL BE DETERMINED ON SITE.
 3. ALL CONCRETE TO BE GRADE 25 UNLESS OTHERWISE STATED.



SURJUANALAYA PERSYHIDAIATAN AIR NEGARA
 Ansa Borneo & Aca Setu
 Prima Avenue, Blok 3510
 Jalan Tanjong Datok 5
 11700 Tanjong Datok
 Seremban, Negeri Sembilan,
 Selangor Darul Ehsan, Malaysia

PREPARED BY :
MINCONSULT SDN. BHD.
 No. 6, JALAN 5114/223,
 48100 PERLING JAYA,
 SELANGOR DARUL EHSAN, MALAYSIA
 T 03-79547272 / 79547273
 F 03-79547275 / 79547273

DRAWING TITLE:
 DETAILS OF HDPE COMMUNICATION
 DUCTILE IRON / UPVC/AC / MILD STEEL
 RETICULATION PIPE

DRAWING NO:
 SPAN/WWS/STD/F/027